

# L-HANDLE FOR QUARTER-TURN LATCHES



L-handle for quarter turn latches with standard insert. The handle can be mounted afterwards and parts do not protrude during transportation.

Supplied with screw and screw cover.

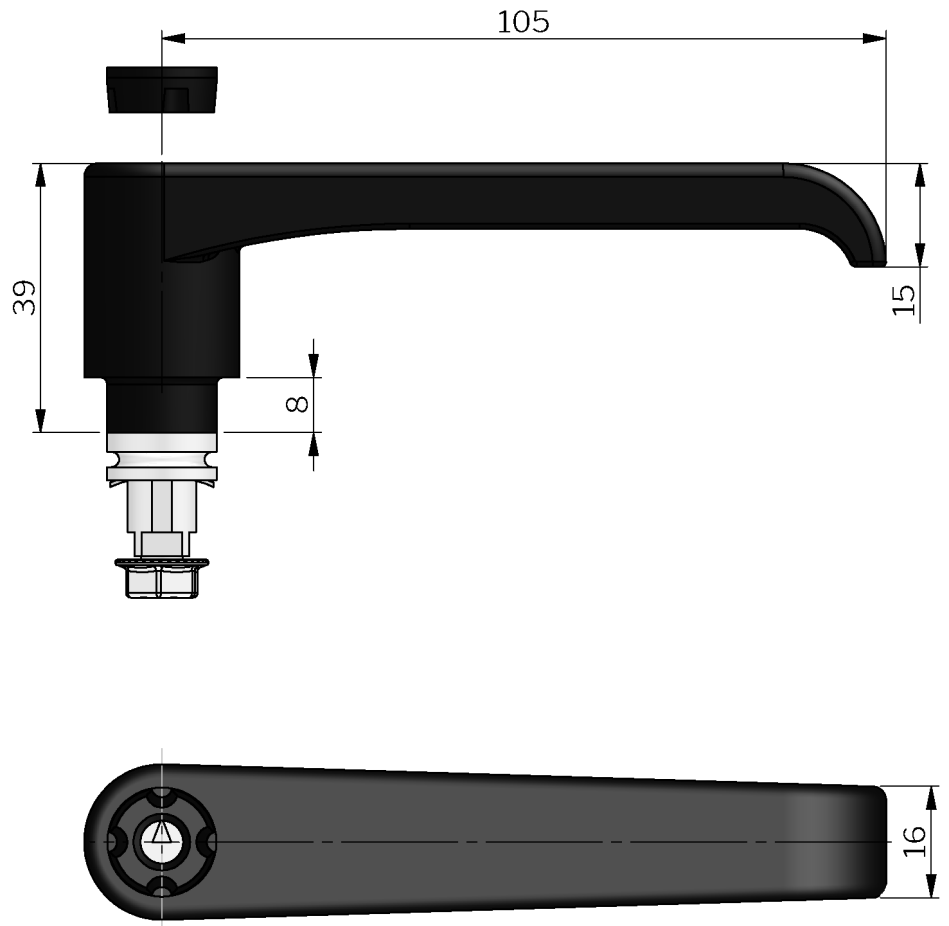


**MATERIAL**

**Cover plug:** Glass fibre reinforced polyamide (PA6GF30)  
**Handle:** Glass fibre reinforced polyamide (PA6GF30)  
**Screw:** Steel, zinc plated

**RELATED PRODUCTS**

**Quarter-turns:** 2-020, 2-040, 2-060, 6-110, 6-115  
 Use the Index Code at [industrilas.com](http://industrilas.com)



P/N	Description	For insert
265056	L-handle for standard insert	Square 8 / M6